

Features

| | |
|------------------|-----------------|
| Series: | T |
| Type: | 50 |
| Code: | 07.525.059.11 |
| Description: | T501710ENC12C12 |
| Customer's code: | - |
| Colour: | Black |

Last drawing

Index: - Date: -

Application

-

Driveline data

| | |
|---|--------------------|
| X | 1 3/8" Z6 DIN 9611 |
| Y | 1 3/8" Z6 DIN 9611 |
| E | 1560 |
| I | 1575 |
| P | 1490 |

Overlap

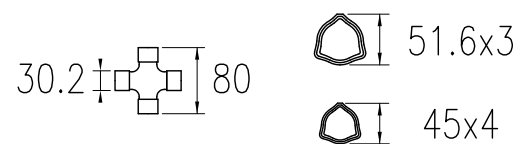
| | Steel tubes | Guard |
|------|-------------|-------|
| Max. | 1531 | 1470 |
| Min. | 531 | 470 |

Greasing point

| | |
|----|---|
| 1) | - |
| 2) | - |

The dimensioning is cross to cross

Cross and tubes



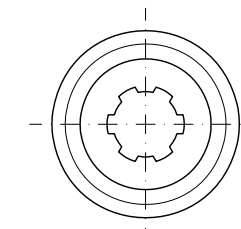
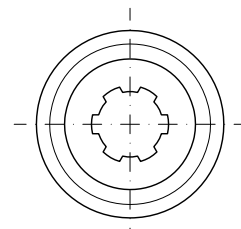
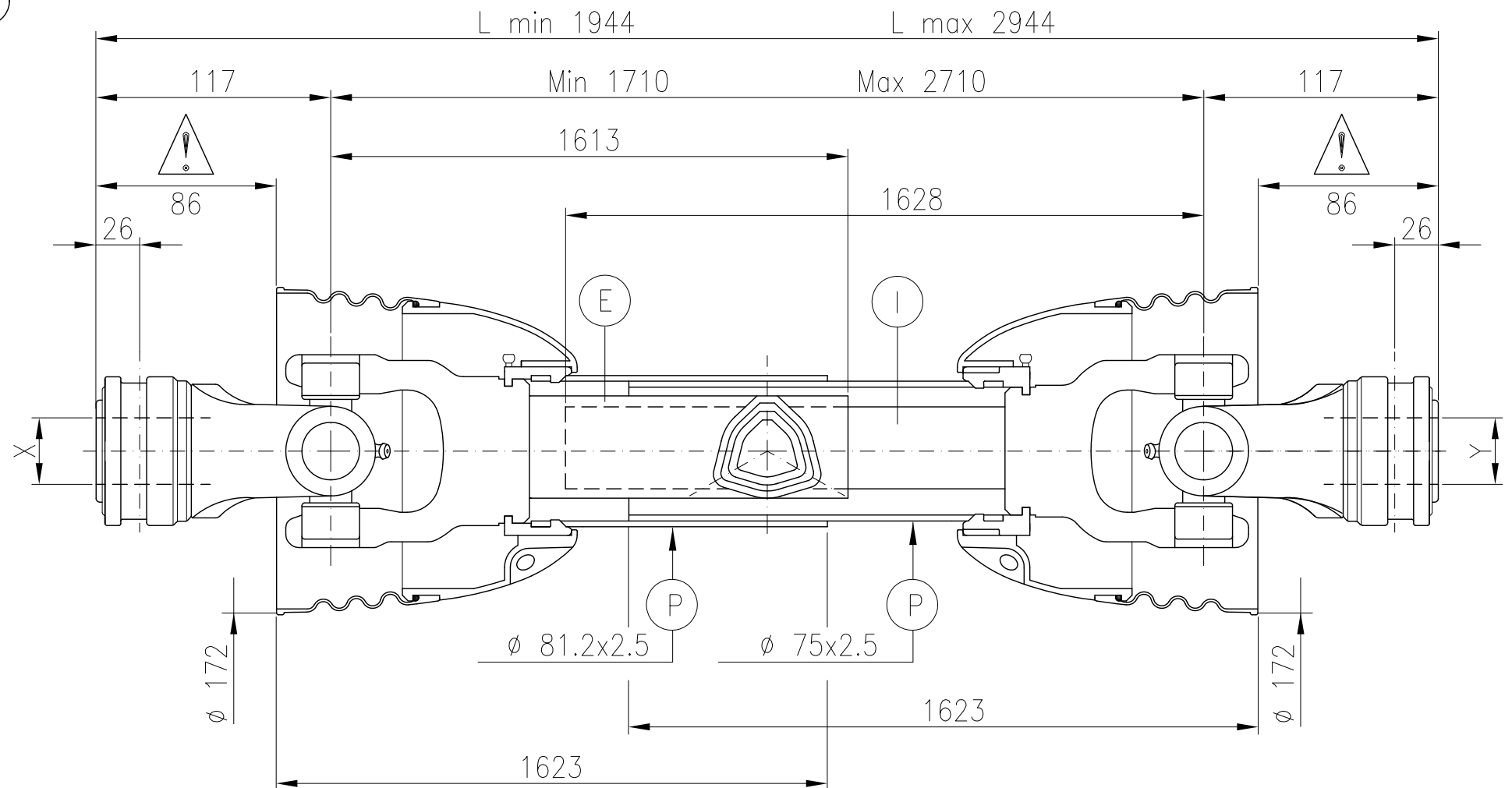
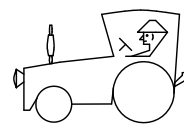
| End fittings | | Max. torque |
|--------------|----------|-------------|
| Tractor | Cod: C12 | - |
| Implement | Cod: C12 | - |

Notes:

CE CERTIFIED

Warning !

Sections of driveline marked are not shielded and must be shielded by an interactive guarding system. COMER spa declines responsibility if proper guards are not provided or maintained.



| Data 540 r.p.m. | | Data 1000 r.p.m. | | 540 min. ⁻¹ r.p.m. max. | Data for only critical velocity | | Customer: - | | | | |
|---|----|------------------|--------|---|---------------------------------|-------------|----------------|------------------|----------------|--------|---|
| KW | CV | Nm. | in.lb. | | 540 r.p.m. | 1000 r.p.m. | | | | | |
| 35 | 47 | 620 | 5500 | 54 | 74 | 520 | 4600 | Max. | - | Max. | - |
| Continuous operation data and conditions, working angle 5°, average life 1000 hours | | | | | | | | L max. | - | L max. | - |
| | | | | Checked: | | | | Signed by: A.Sa. | Date: 15-09-20 | | |